



BMW 5 series E60 / E61

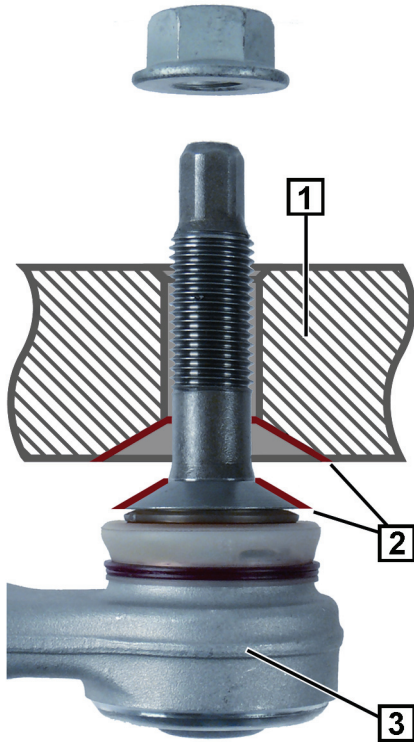


Fig. 1: Rear axle suspension with cone seat (2)

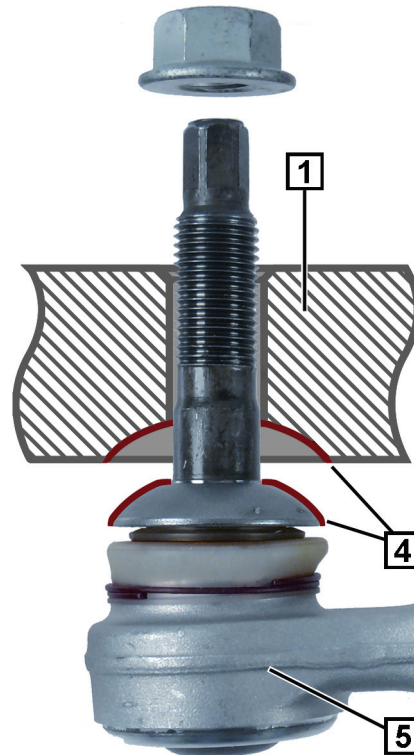


Fig. 2: Rear axle suspension arm with cone seat (4)



NOTE

Wheel carrier (1) and suspension arm (3 / 5) for the rear axle were changed from cone seat (2) to cone seat (4).

Prior to installation, check whether the suspension arm model is compatible with the wheel carrier.

Year of construction	Model	Part no. LEMFÖRDER	Part no. BMW
→ 02 / 2005	Cone seat (2)	34465 01	33 32 6 777 425
→ 02 / 2005	Cone seat (2)	34466 01	33 32 6 777 426
02 / 2005 →	Cone seat (4)	27192 02	33 30 6 772 241
02 / 2005 →	Cone seat (4)	27193 02	33 30 6 772 242